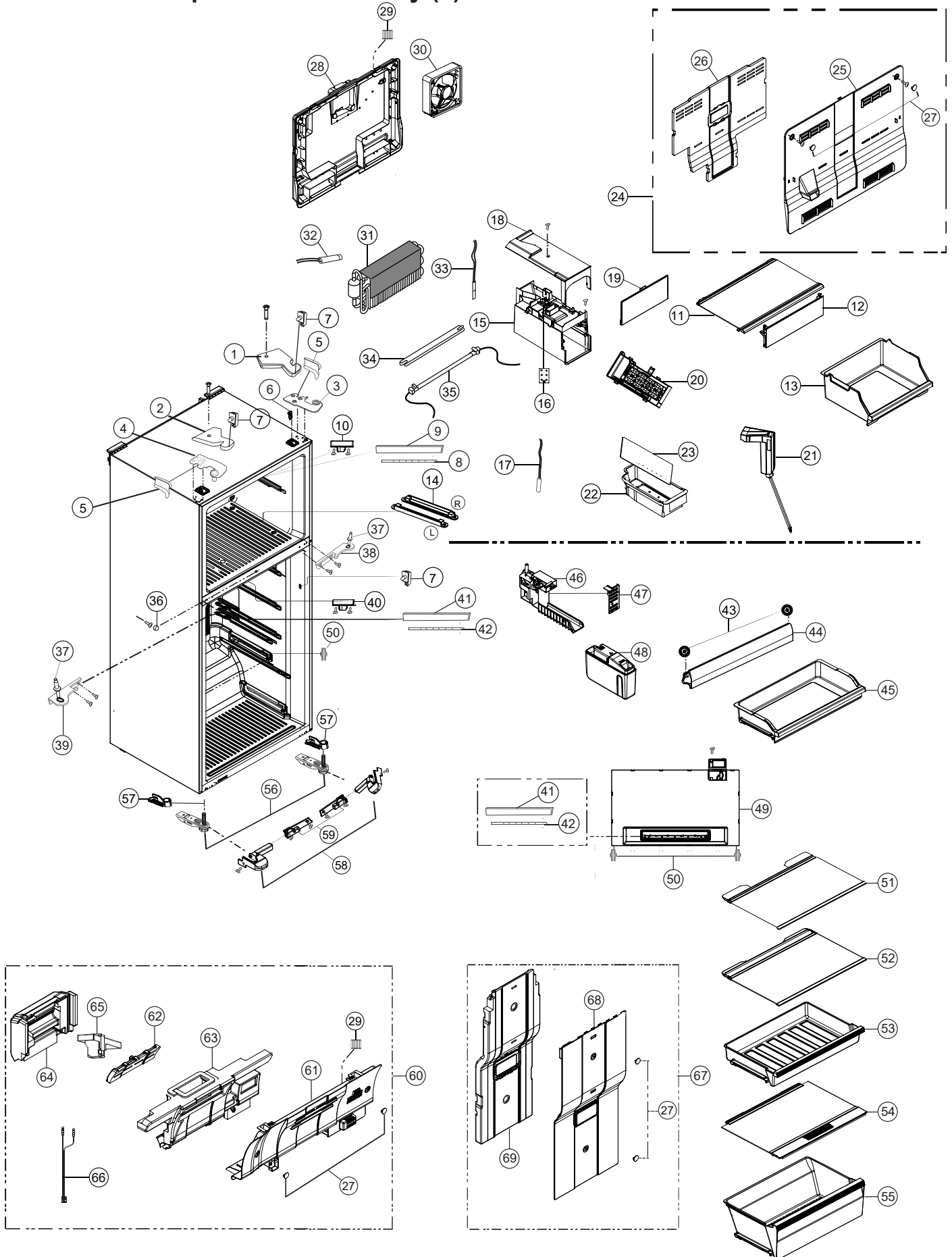
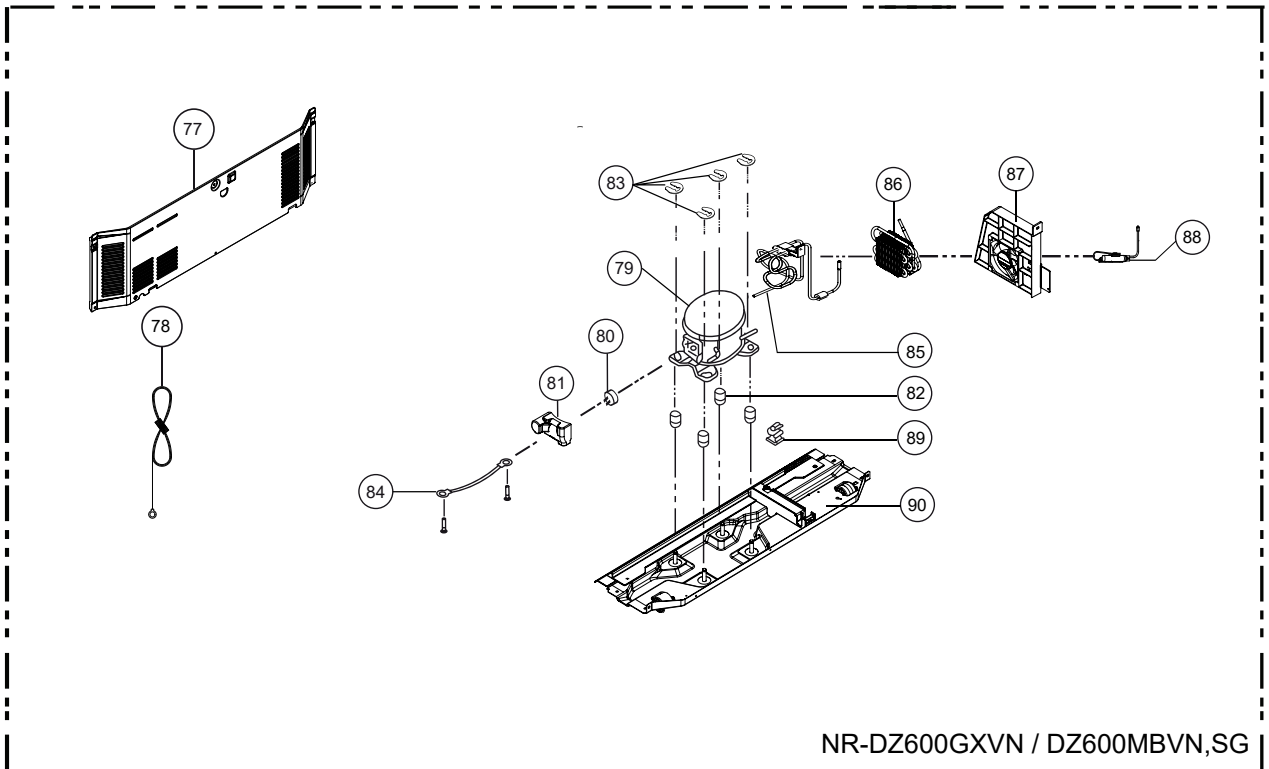
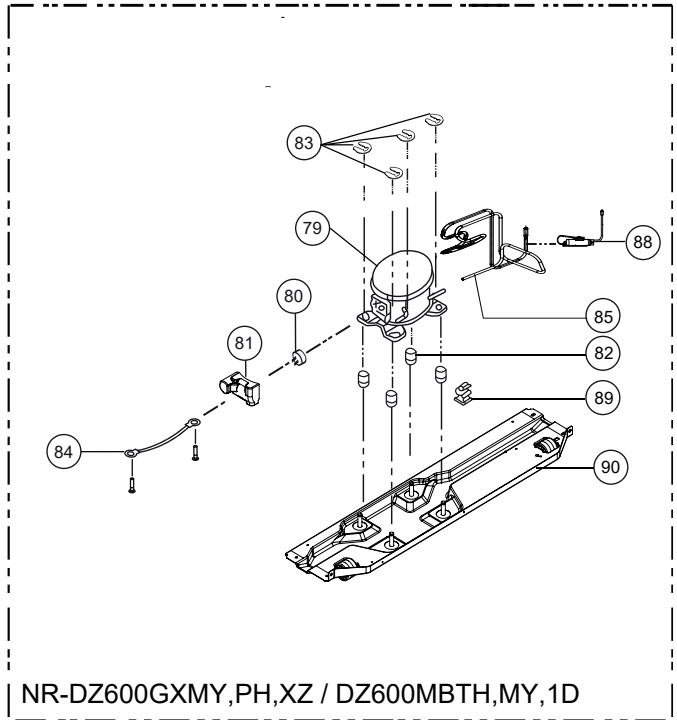
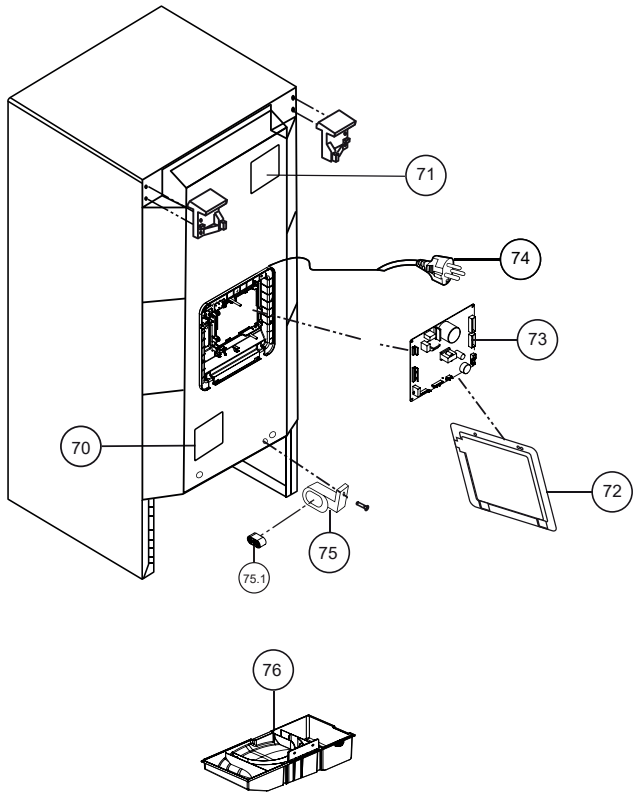


15. PART EXPLODED VIEW AND REPLACEMENT PART LIST

15.1 Part Exploded View : Body (1)

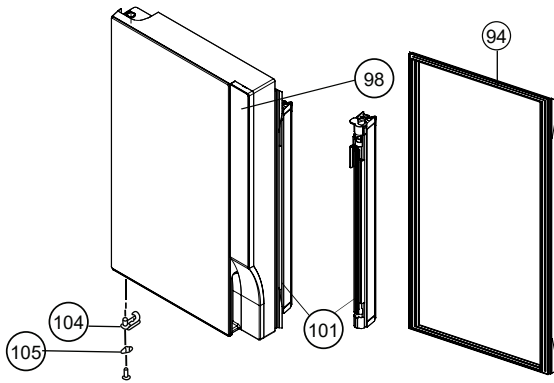


15.1 Part Exploded View : Body (2)

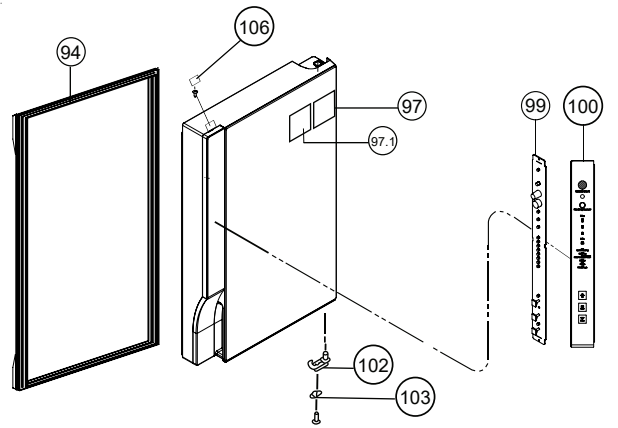


15.2 Part Exploded View : Door

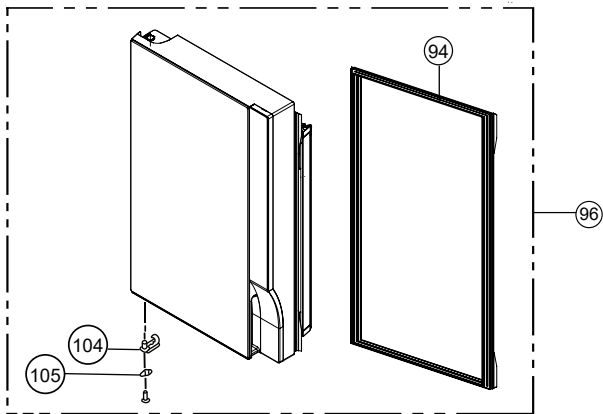
DOOR FCL ALL MODEL



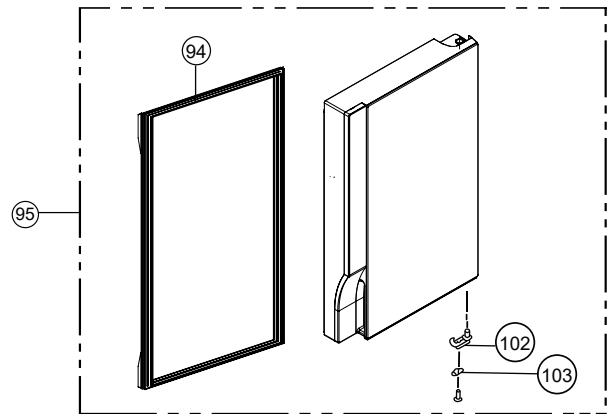
DOOR FCR ALL MODEL



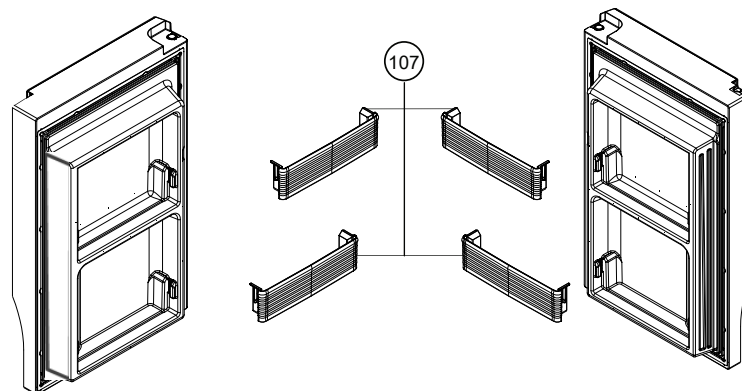
DOOR AS. (CMPT) FCL



DOOR AS. (CMPT) FCR

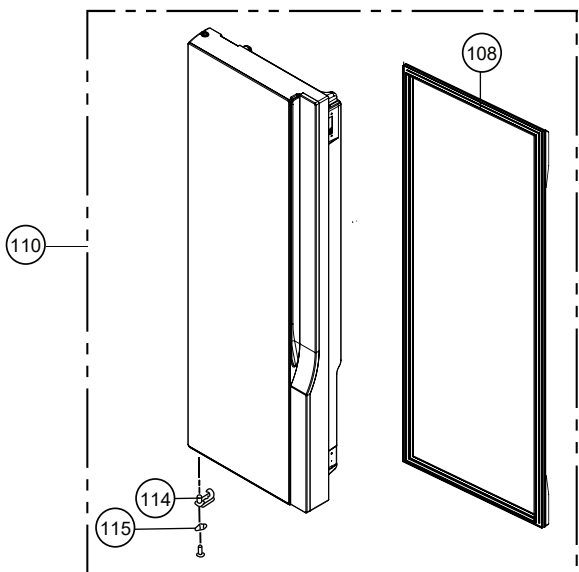


DOOR ASSEMBLY

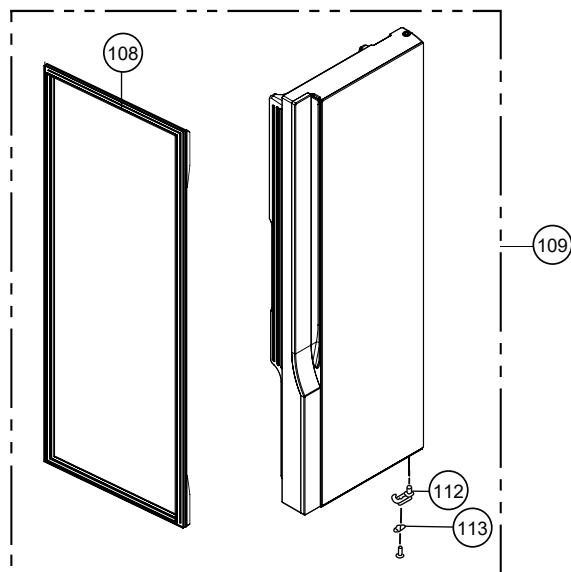


DOOR AS. PC (CMPT)

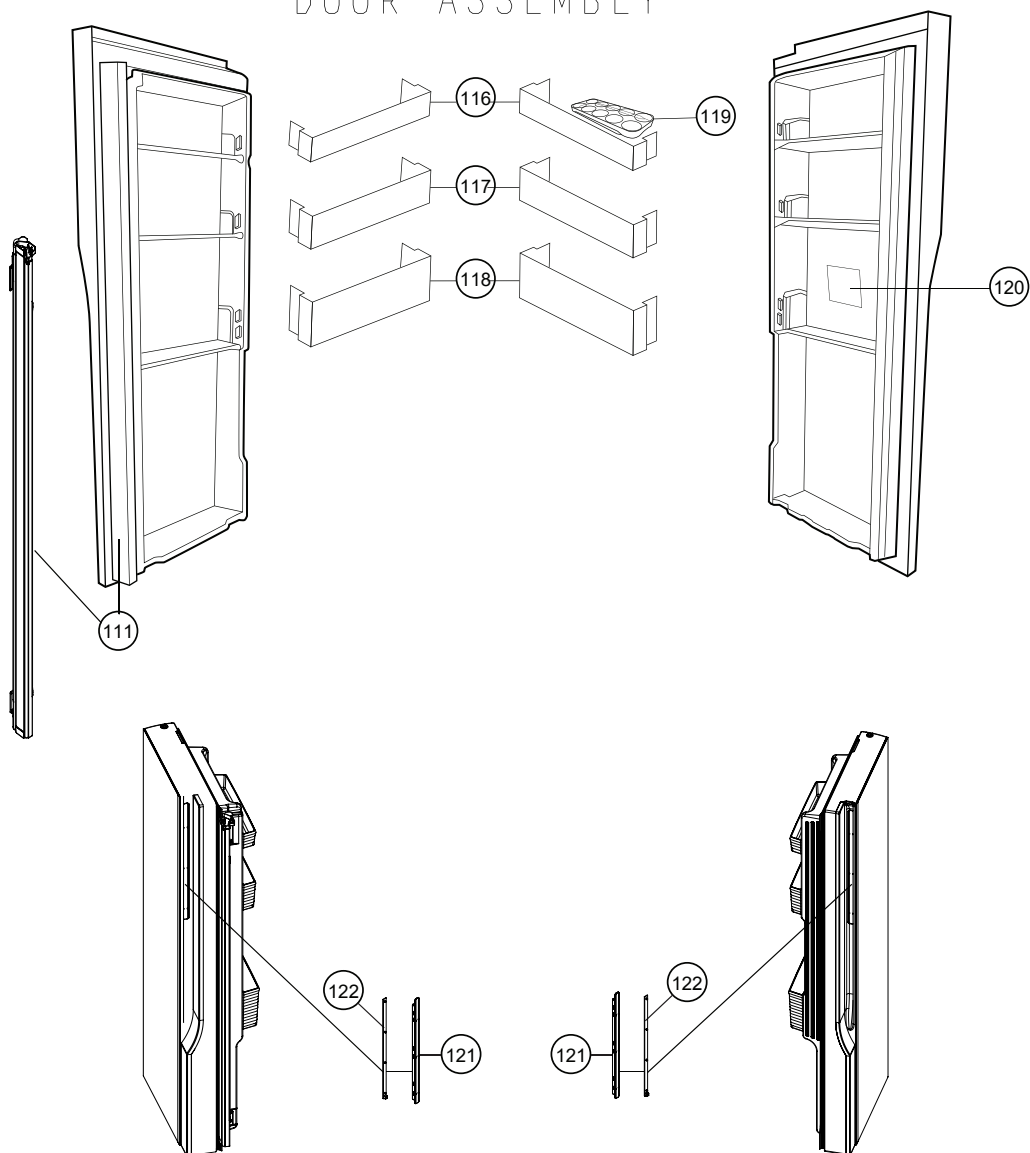
DOOR AS (CMPT) PCL



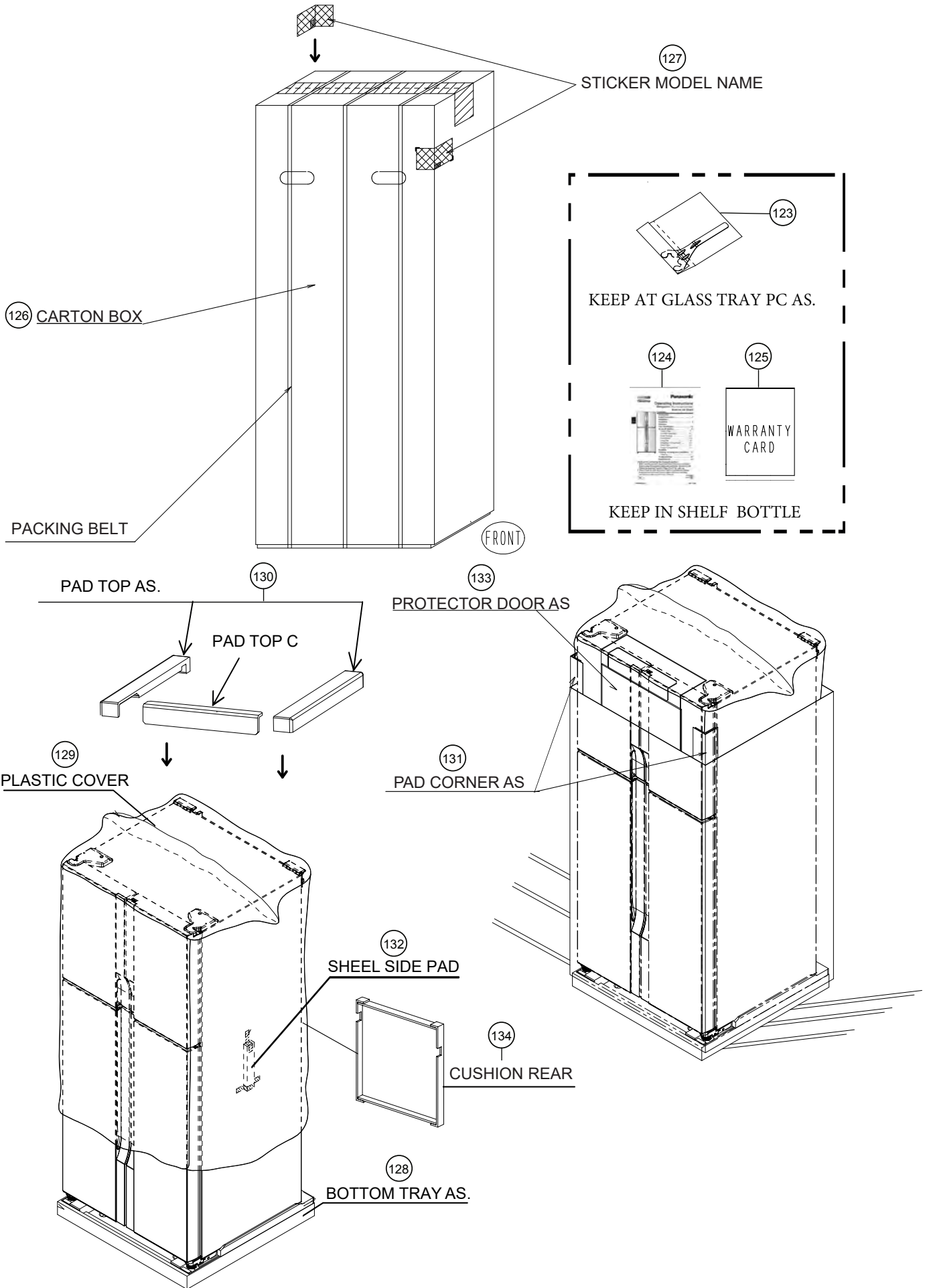
DOOR AS (CMPT) PCR



DOOR ASSEMBLY



15.3 Part Exploded View : Packing



15.4 REPLACEMENT PARTS LIST

Important safety notice :

Components identified by mark have special characteristics important for safety.

When replacing any of these components, use only manufacturer's specified part.

Parts List : NR-DZ600GXVN, NR-DZ600GXMY, NR-DZ600GXPH, NR-DZ600GXXZ

Part Exploded view : Body

Safety	Ref. No.	Part No.	Part name	Quantity	Remark
	1	ARAECA305540	COVER HINGE TOP R	1	
	2	ARAECA205350	COVER HINGE TOP L	1	
⚠	3	CNRAE-143180	HINGE TOP PCR	1	
⚠	4	CNRAE-143191	HINGE TOP PCL	1	
	5	ARAEPD105040	PIECE HINGE TOP	1	
	5	ARAEPD205020	PIECE HINGE TOP PCL	1	
	6	ARBGHE300020	HOLDER SENSOR HUMIDITY AS	1	DZ600GXVN
	6	ARAGHE700020	HOLDER SENSOR HUMIDITY	1	DZ600GXVN
	6	ARAGSD400010	SENSOR HUMIDITY	1	DZ600GXVN
	7	CNRAG-153290	DOOR SW. - WHITE	2	PC 2
	7	ARAGDB200010	DOOR SW. - BLACK	2	COVER HINGE TOP 2
	8	ARBPLLA00531	PAS-LED PCB (LIGHT)	1	INNER LINER FC
	9	ARAHCFD00010	COVER LED LAMP FC	1	
	10	ARBHGAG00060	GUIDE FRENCH FC	1	
	11	ARBHGAG00062	GLASS TRAY FC AS.	1	
	12	ARAHDAC00011	DOOR CASE FC	1	EXCEPT DZ600GXXZ
	13	ARBHCD700251	CASE FC AS.	1	EXCEPT DZ600GXXZ
	14	ARACRDZ00021	RAIL CASE FC - L	1	EXCEPT DZ600GXXZ
	14	ARACRDZ00040	RAIL CASE FC - R	1	EXCEPT DZ600GXXZ
	15	ARAHHB905055	HOLDER ICE TRAY	1	
	16	CNRAJ-172330	PIECE EARTH PLATE	1	
	17	ARAGSB200480	SENSOR FCC	1	
	18	ARAHCA205023	COVER ICE TRAY	1	
	19	ARAHPCQ00011	PIECE HOLDER ICE TRAY	1	
	20	ARBH1A200321	ICE CORNER AS.	1	
	21	ARBF1A200223	INJECT TUBE AS	1	
	22	ARAHBA105040	BOX ICE	1	
	23	ARAHMA105040	MAT ICE	1	
	24	ARBFCFA600070	COVER COIL F AS	1	
	25	ARAFCD205255	COVER COIL F	1	
	26	ARAF1B105062	INS.COVER COIL	1	
	27	CNRAH-316010	BUTTON PLATE CONTROL	6	COVER COIL F = 2 COVER DAMPER PC = 2 PLATE DUCT PC = 2
	28	ARBFCFA700092	COVER COIL BACK AS.	1	
	29	CNRAH-245521	AG BIO FILTER	2	COVER COIL BACK = 1 COVER DAMPER PC = 1
	30	ARBGFA200051	FAN MOTOR FC AS	1	
	31	ARBFCB100730	COIL AS.	1	
	32	CNRAG-175860	SENSOR DEF.	1	
⚠	33	ARBGTA300320	TEMP FUSE AS.	1	
	34	ARAGCB600190	COVER RADIANT	1	
⚠	35	CNRAG-175961	HEATER AS. DEFROST	1	
	36	CNR39-1624310	CAP PAN H.4TS (W)	1	
⚠	37	CNRAE-136583	PIN HINGE CENTER	2	
⚠	38	CNRAE-143231	HINGE CENTER R	1	
⚠	39	ARAEHA305130	HINGE CENTER L	1	
	40	ARADGB200011	GUIDE FRENCH PC	1	

15.4 REPLACEMENT PARTS LIST

Important safety notice :

Components identified by mark have special characteristics important for safety.
When replacing any of these components, use only manufacturer's specified part.

Parts List : NR-DZ600GXVN, NR-DZ600GXMY, NR-DZ600GXPH, NR-DZ600GXXZ

Part Exploded view : Body

Safety	Ref. No.	Part No.	Part name	Quantity	Remark
	41	CNRAH-290283	COVER LED LAMP	2	INNER LINER PC = 1 PLATE PF = 1
	42	ARBPLLA00331	PAS-LED PCB (LIGHT)	2	INNER LINER PC = 1 PLATE PF = 1
	43	CNRAJ-173890	COLLAR	2	
	44	ARAHDA305321	DOOR PF	1	
	45	ARBHCD400301	CASE PF AS	1	
	46	ARBHHA300020	HOLDER TANK SIDE AS	1	
	47	ARAHHBG00020	HOLDER TANK COVER	1	
	48	ARBHTA100190	TANK AS	1	
	49	ARBHPA400014	PLATE PF AS.	1	
	50	ARACRE105060	ROLLER	4	AT PLATE PF = 2 AT RAIL CRISPER = 4
	51	ARBHGA100130	GLASS TRAY PC AS	1	
	52	ARBHGA500030	GLASS TRAY PCB AS	1	
	53	ARAHCNC00013	CASE CRISPER T	1	
	54	ARBHGA300120	GLASS TRAY CRISPER AS	1	
	55	ARAHCNB00045	CASE CRISPER	1	
	56	ARBCCB100090	CASTER L AS.	1	
	56	ARBCCB200090	CASTER R AS.	1	
	57	ARAEC300010	CLAMPER CORD	2	
	58	ARAECA600012	COVER HINGE BOTTOM L	1	
	58	ARAECA700012	COVER HINGE BOTTOM R	1	
	59	ARAHCGP00010	COVER PANEL FRONT L	1	
	59	ARAHCGQ00010	COVER PANEL FRONT R	1	
	60	ARBHCBR00060	COVER DAMPER PC AS	1	
	61	ARAHCBR00072	COVER DAMPER PC	1	
	62	ARAC1EM00020	INS.DAMPER PLATE	1	
	63	ARAC1EN00021	INS.DAMPER PC F	1	
	64	ARAC1EJ00030	INS.DAMPER PC B	1	
	65	ARBGDA200150	DAMPER ELECTRIC TWIN AS	1	
	66	ARBGTA600010	SENSOR PFC & PCC AS	1	
	67	ARBHPC600601	PLATE DUCT PC AS.	1	
	68	ARAHPE105420	PLATE DUCT PC	1	
	69	ARAC1E105290	INS. DUCT PC	1	
⚠	70	CNRAH-342980	LABEL HC BACK - EXPORT	1	ENGLISH
	71	ARAHWC105380	WIRING DIAGRAM - GXVN	1	
	71	ARAHWC105390	WIRING DIAGRAM - GXMY	1	
	71	ARAHWC105400	WIRING DIAGRAM - GXPH	1	
	71	ARAHWC105410	WIRING DIAGRAM - GXXZ	1	
	72	ARBCCA100872	COVER PCB AS.	1	
⚠	73	ARBPC1A04873	PAS-CONTROL PCB (INV)	1	DZ600GXVN
	73	ARBPC1A04883	PAS-CONTROL PCB (INV)	1	DZ600GXMY,PH,XZ

15.4 REPLACEMENT PARTS LIST

Important safety notice :

Components identified by mark have special characteristics important for safety.

When replacing any of these components, use only manufacturer's specified part.

Parts List : NR-DZ600GXVN, NR-DZ600GXMY, NR-DZ600GXPH, NR-DZ600GXXZ

Part Exploded view : Body

Safety	Ref. No.	Part No.	Part name	Quantity	Remark
⚠	74	ARBGSA200961	SUPPLY CORD AS.(C2P)	1	DZ600GXVN
	74	ARBGSA200862	SUPPLY CORD AS.(S3P)	1	DZ600GXMY
	74	ARBGSA200871	SUPPLY CORD AS.(A2P)	1	DZ600GXPH
	74	ARBGSA200882	SUPPLY CORD AS.(B3P)	1	DZ600GXXZ
	75	ARAFCE405030	CLAMP PIPE WATER EVA.	1	
	75.1	CNRAF-175240	HOLDER PIPE WATER EVA.	1	
	76	ARAFPB105202	PAN WATER EVA.	1	
	77	ARBFCA200492	COVER PANEL COMP AS.	1	DZ600GXVN
	78	CNRBG-165990	EARTH AS.COMP.2500	1	DZ600GXVN,PH
	79	CNR91-179630	COMPRESSOR-TKB91E20DAH-C2ECS	1	DZ600GXVN
	79	CNR91-179680	COMPRESSOR-TKB91E14DTH-C3ECS	1	DZ600GXMY,PH,XZ
⚠	80	CNR06-598071	MOTOR PROTECTOR	1	
	81	CNRAG-170461	PROTECTOR COVER	1	
	82	ARAJGA700021	GROMMET COMP	4	
	83	CNRAJ-170190	U - RING 7	4	
	84	CNRBG-168610	EARTH WIRE AS. COMP.150	1	
	85	ARBFPA500090	PIPE WATER EVP.AS	1	DZ600GXVN
	85	ARBFPA500110	PIPE WATER EVP.AS	1	DZ600GXMY,PH,XZ
	86	ARBF0A100101	OUTER CONDENSOR AS	1	DZ600GXVN
	87	ARBFFA100140	FAN RING COMP AS	1	DZ600GXVN
	88	ARAFDC105090	5 DRYER W	1	
	89	ARAFCE205040	CLAMPER DRYER	1	
	90	ARBFCC100261	CROSSRAIL REAR AS.	1	MY,PH,XZ
	90	ARBFCC100251	CROSSRAIL REAR AS.	1	VN

15.5 REPLACEMENT PARTS LIST

Important safety notice :

Components identified by mark have special characteristics important for safety.

When replacing any of these components, use only manufacturer's specified part.

Parts List : NR-DZ600GXVN, NR-DZ600GXMY, NR-DZ600GXPH, NR-DZ600GXXZ

Part Exploded view : Door

Safety	Ref. No.	Part No.	Part name	Quantity	Remark
	94	ARADGC605351	GASKET DOOR FC	2	
	95	ARBDDMX00020	DOOR AS (CMPT) FCR	1	
	96	ARBDDMU00020	DOOR AS (CMPT) FCL	1	
⚠	97	ARAHLCW10890	ENERGY LABEL - GXVN	1	
	98	ARBDHD400022	HOLDER ESCUTCHEON AS.	1	
	99	ARBP0DA01532	PAS-OPERATION PCB(DOOR)	1	
	100	ARBDHD500022	HOLDER OPERATION AS.	1	
	101	ARBCFA300012	FRENCH CROSSRAIL FC AS.	1	
	102	CNRAE-136513	LATCH DOOR PC	1	
	103	CNRAD-359750	STOPPER DOOR PC-BW	1	
	104	CNRAE-143130	LATCH DOOR PCL	1	
	105	CNRAD-383280	STOPPER DOOR PCL	1	
	106	ARAJTF400030	TACK SHOT HOLE - GK	1	
	107	ARADSEE00060	SHELF FC	4	
	108	ARADGC105421	GASKET DOOR PC	2	
	109	ARBDDL303210	DOOR AS (CMPT) PCR	1	
	110	ARBDDL203240	DOOR AS (CMPT) PCL	1	
	111	ARBCFA400013	FRENCH CROSSRAIL PC AS.	1	
	112	ARAESA505060	STOPPER DOOR PCR	1	
	113	ARAELB605050	LATCH DOOR PCR	1	
	114	ARAESA205070	STOPPER DOOR PCL	1	
	115	ARAELB505040	LATCH DOOR PCL	1	
	116	CNRAD-381821	SHELF EGG PC	2	
	117	CNRAD-381831	FREE RACK PC	2	
	118	CNRAD-381811	SHELF BOTTLE PC	2	
	119	CNRAD-381840	TRAY EGG 10	1	
⚠	120	ARAHLCW10370	LABEL NAME & REF. - GXVN	1	
	120	ARAHLCW10380	LABEL NAME & REF. - GXMY	1	
	120	ARAHLCW10390	LABEL NAME & REF. - GXPH	1	
	120	ARAHLCW10400	LABEL NAME & REF. - GXXZ	1	
	121	ARADCD400040	COVER LED HANDLE PC	2	
	122	ARBPL2A00110	PAS-LED PCB (LIGHT)	2	

Screw :

Safety	Ref. No.	Part No.	Part name	Quantity	Remark
		CNR38-1143A01	TRUSS 4 TS 12	4	FIX COVER HINGE TOP R/L
		CNRAJ-167950	HEXAGON H.5 TS 14	6	FIX HINGE TOP PC R/L
		CNR38-1144501	TRUSS 4 TS 14	2	FIX GUIDE FRENCH FC
		CNR38-1145501	TRUSS 4 TS 16	4	FIX RAIL CASE FC
		CNR38-1143501	TRUSS 4 TS 12	1	FIX HOLDER ICE TRAY AS.
		CNR38-1143A01	TRUSS 4 TS 12	1	FIX PIECE EARTH PLATE
		CNR38-1143501	TRUSS 4 TS 12	1	FIX ICE CORNER AS.
		CNR38-1143501	TRUSS 4 TS 12	1	FIX COVER ICE TRAY
		CNR38-1145A01	TRUSS 4 TS 16	2	FIX COVER COIL
		CNR38-1143A01	TRUSS 4 TS 12	2	FIX HINGE CENTER R/L
		CNRAJ-167950	HEXAGON H 5 TS 14	4	FIX HINGE CENTER R/L
		CNR38-1144501	TRUSS 4 TS 14	2	FIX GUIDE FRENCH PC
		CNR38-1145501	TRUSS 4 TS 16	2	FIX COLLAR
		CNR38-1145501	TRUSS 4 TS 16	2	FIX PLATE PF AS.
		CNR38-1142501	TRUSS 4 TS 10	1	FIX PLATE PF AS. AT CONECTOR COVER
		CNR38-1143501	TRUSS 4 TS 12	1	FIX HOLDER TANK SIDE AS
		CNR38-1143501	TRUSS 4 TS 12	1	FIX HOLDER TANK COVER
		CNRAJ-167950	HEXAGON H.5 TS 14	4	FIX CASTER R/L AS.
		CNR38-1143A01	TRUSS 4 TS 12	2	FIX COVER HINGE BOTTOM L/R
		CNR38-1143A01	TRUSS 4 TS 12	4	FIX COVER PANEL FRONT L/R
		CNR38-1967710	TORX 4 TS 14	1	FIX COVER PCB
		CNR38-1143A01	TRUSS 4 TS 12	2	FIX COVER PCB
		CNR38-1145A01	TRUSS 4 TS 16	2	FIX SUPPLY CORD AS.
		CNR38-1143A01	TRUSS 4 TS 12	6	FIX COVER PANEL COMP AS.
		CNR38-1143A01	TRUSS 4 TS 12	2	FIX PAN WATER EVA
		CNR38-1143A01	TRUSS 4 TS 12	1	FIX FAN RING COMP.
		CNR38-1143A01	TRUSS 4 TS 12	1	FIX OUTER CONDENSOR
		CNR38-1141A02	TRUSS 4 TS 8	2	FIX DUCT SHELL
		CNRAJ-167960	HEXAGON H.5 TS 14	4	FIX CROSSRAIL REAR
		CNR38-1143A01	TRUSS 4 TS 12	1	FIX HOLDER OPERATION AS.
		CNR38-1145A01	TRUSS 4 TS 16	2	FIX PLATE DUCT
		CNR38-1145A01	TRUSS 4 TS 16	2	FIX COVER DAMPER AS.
		CNR38-1145A01	TRUSS 4 TS 16	2	FIX PLATE DUCT PC AS.
		CNR38-1143A01	TRUSS 4 TS 12	1	FIX OUTER CONDENSOR
		CNR38-1143A01	TRUSS 4 TS 12	1	FIX FAN RING COMP.
		CNR38-1141A02	TRUSS 4 TS 8	2	FIX DUCT SHELL
		CNR38-1144501	TRUSS 4 TS 14	2	FIX GUIDE FRENCH FC
		CNR38-1144501	TRUSS 4 TS 14	2	FIX GUIDE FRENCH PC
		CNR38-1156A01	TRUSS 5 TS 18	2	FIX LATCH DOOR R/L

15.6 REPLACEMENT PARTS LIST

Packing List : NR-DZ600GXVN, NR-DZ600GXMY, NR-DZ600GXPH, NR-DZ600GXXZ

Safety	Ref. No.	Part No.	Part name	Quantity	Remark
	123	CNRAH-329551	WRENCH INSTRUCTION	2	
	123	ARAHWD100010	WRENCH ADJUSTER BOLT	1	
	123	CNRAJ-172190	PLASTIC BAG WRENCH	1	
	124	ARAH1E201860	INSTRUCTION BOOK - VN	1	
	124	ARAH1E201870	INSTRUCTION BOOK - MY	1	
	124	ARAH1E201880	INSTRUCTION BOOK - PH	1	
	124	ARAH1E201890	INSTRUCTION BOOK - XZ	1	
	125	ARAHWB110180	WARRANTY CARD - VN	1	
	125	ARAHWB109820	WARRANTY CARD - INDIA	1	
	126	ARAKCB300431	CARTON BOX PRINT	1	
	127	ARAHSL106460	STICKER MODEL NAME - GXVN	2	
	127	ARAHSL106470	STICKER MODEL NAME - GXMY	2	
	127	ARAHSL106480	STICKER MODEL NAME - GXPH	2	
	127	ARAHSL106490	STICKER MODEL NAME - GXXZ	2	
	128	ARBKBB100081	BOTTOM TRAY AS.	1	
	129	CNRAJ-162070	PLASTIC COVER	1	
	130	ARBKPB100031	PAD TOP AS	1	
	130	CNRAK-173680	TOP PAD C	1	
	131	CNRBK-140421	PAD CORNER AS	2	
	132	CNRAK-142810	SHELL SIDE PAD	2	
	133	CNRBK-140231	PROTECTOR DOOR AS.	1	
	134	ARAKCA705020	CUSHION REAR	1	

15.7 REPLACEMENT PARTS LIST

Important safety notice :

Components identified by mark have special characteristics important for safety.

When replacing any of these components, use only manufacturer's specified part.

Parts List : NR-DZ600MBTH, DZ600MBVN, DZ600MBMY, DZ600MB1D, DZ600MBSG

Part Exploded view : Body

Safety	Ref. No.	Part No.	Part name	Quantity	Remark
	1	ARAECA305540	COVER HINGE TOP R	1	
	2	ARAECA205350	COVER HINGE TOP L	1	
⚠	3	CNRAE-143180	HINGE TOP PCR	1	
⚠	4	CNRAE-143191	HINGE TOP PCL	1	
	5	ARAEP105040	PIECE HINGE TOP	1	
	5	ARAEP205020	PIECE HINGE TOP PCL	1	
	6	ARBGHE300020	HOLDER SENSOR HUMIDITY AS	1	DZ600MBVN,MBSG
	6	ARAGHE700020	HOLDER SENSOR HUMIDITY	1	DZ600MBVN,MBSG
	6	ARAGSD400010	SENSOR HUMIDITY	1	DZ600MBVN,MBSG
	7	CNRAG-153290	DOOR SW. - WHITE	2	PC 2
	7	ARAGDB200010	DOOR SW. - BLACK	2	COVER HINGE TOP 2
	8	ARBPLLA00531	PAS-LED PCB (LIGHT)	1	INNER LINER FC
	9	ARAHCF100010	COVER LED LAMP FC	1	
	10	ARADGB300011	GUIDE FRENCH FC	1	
	11	ARBHAG000060	GLASS TRAY FC AS.	1	
	12	ARAHDAC00011	DOOR CASE FC	1	
	13	ARBHCD700251	CASE FC AS.	1	
	14	ARACRDZ00021	RAIL CASE FC - L	1	
	14	ARACRDZ00040	RAIL CASE FC - R	1	
	15	ARAHHB905055	HOLDER ICE TRAY	1	
	16	CNRAJ-172330	PIECE EARTH PLATE	1	
	17	ARAGSB200480	SENSOR FCC	1	
	18	ARAHCA205023	COVER ICE TRAY	1	
	19	ARAHPCQ00011	PIECE HOLDER ICE TRAY	1	
	20	ARBHIA200321	ICE CORNER AS.	1	
	21	ARBF1A200223	INJECT TUBE AS	1	
	22	ARAHBA105040	BOX ICE	1	
	23	ARAHMA105040	MAT ICE	1	
	24	ARBFC600070	COVER COIL F AS	1	
	25	ARAFCB205255	COVER COIL F	1	
	26	ARAF1B105062	INS.COVER COIL	1	
	27	CNRAH-316010	BUTTON PLATE CONTROL	6	COVER COIL F = 2 COVER DAMPER PC = 2 PLATE DUCT PC = 2
	28	ARBFC700092	COVER COIL BACK AS.	1	
	29	CNRAH-245521	AG BIO FILTER	2	COVER COIL BACK = 1 COVER DAMPER PC = 1
	30	ARBGFA200230	FAN MOTOR FC AS	1	
	31	ARBFCB100730	COIL AS.	1	
	32	CNRAG-175860	SENSOR DEF.	1	
⚠	33	ARBGTA300320	TEMP FUSE AS.	1	
	34	ARAGCB600190	COVER RADIANT	1	
⚠	35	CNRAG-175961	HEATER AS. DEFROST	1	
	36	CNR39-1624310	CAP PAN H.4TS (W)	1	
⚠	37	CNRAE-136583	PIN HINGE CENTER	2	
⚠	38	CNRAE-143231	HINGE CENTER R	1	
⚠	39	ARAEHA305130	HINGE CENTER L	1	
	40	ARADGB200011	GUIDE FRENCH PC	1	

15.7 REPLACEMENT PARTS LIST

Important safety notice :

Components identified by mark have special characteristics important for safety.

When replacing any of these components, use only manufacturer's specified part.

Parts List : NR-DZ600MBTH, DZ600MBVN, DZ600MBMY, DZ600MB1D, DZ600MBSG

Part Exploded view : Body

Safety	Ref. No.	Part No.	Part name	Quantity	Remark
	41	CNRAH-290283	COVER LED LAMP	2	INNER LINER PC = 1 PLATE PF = 1
	42	ARBPLLA00331	PAS-LED PCB (LIGHT)	2	INNER LINER PC = 1 PLATE PF = 1
	43	CNRAJ-173890	COLLAR	2	
	44	ARAHDA305321	DOOR PF	1	
	45	ARBHCD400301	CASE PF AS	1	
	46	ARBHHA300020	HOLDER TANK SIDE AS	1	
	47	ARAHHBG00020	HOLDER TANK COVER	1	
	48	ARBHTA100190	TANK AS	1	
	49	ARBHPA400014	PLATE PF AS.	1	
	50	ARACRE105060	ROLLER	4	AT PLATE PF = 2 AT RAIL CRISPER = 4
	51	ARBHGA100130	GLASS TRAY PC AS	1	
	52	ARBHGA500030	GLASS TRAY PCB AS	1	
	53	ARAHCNC00013	CASE CRISPER T	1	
	54	ARBHGA300120	GLASS TRAY CRISPER AS	1	
	55	ARAHCNB00045	CASE CRISPER	1	
	56	ARBCCB100090	CASTER L AS.	1	
	56	ARBCCB200090	CASTER R AS.	1	
	57	ARAECC300010	CLAMPER CORD	2	
	58	ARAECA600012	COVER HINGE BOTTOM L	1	
	58	ARAECA700012	COVER HINGE BOTTOM R	1	
	59	ARAHCGP00010	COVER PANEL FRONT L	1	
	59	ARAHCGQ00010	COVER PANEL FRONT R	1	
	60	ARBHCBR00060	COVER DAMPER PC AS	1	
	61	ARAHCBR00072	COVER DAMPER PC	1	
	62	ARAC1EM00020	INS.DAMPER PLATE	1	
	63	ARAC1EN00021	INS.DAMPER PC F	1	
	64	ARAC1EJ00030	INS.DAMPER PC B	1	
	65	ARBGDA200150	DAMPER ELECTRIC TWIN AS	1	
	66	ARBGTA600010	SENSOR PFC & PCC AS	1	
	67	ARBHPC600601	PLATE DUCT PC AS.	1	
	68	ARAHPE105420	PLATE DUCT PC	1	
	69	ARAC1E105290	INS. DUCT PC	1	
⚠	70	CNRAH-342970	LABEL HC BACK - TH	1	THAI
	70	CNRAH-342980	LABEL HC BACK - EXPORT	1	ENGLISH
	71	ARAHWC105420	WIRING DIAGRAM - MBTH	1	
	71	ARAHWC105430	WIRING DIAGRAM - MBVN	1	
	71	ARAHWC105440	WIRING DIAGRAM - MBMY	1	
	71	ARAHWC105720	WIRING DIAGRAM - MB1D	1	
	71	ARAHWC105730	WIRING DIAGRAM - MBSG	1	
	72	ARBCCA100872	COVER PCB AS.	1	
⚠	73	ARBPC1A04883	PAS-CONTROL PCB (INV)	1	DZ600MBTH,MY,1D
	73	ARBPC1A04873	PAS-CONTROL PCB (INV)	1	DZ600MBVN
	73	ARBPC1A05273	PAS-CONTROL PCB (INV)	1	DZ600MBSG

15.7 REPLACEMENT PARTS LIST

Important safety notice :

Components identified by mark have special characteristics important for safety.

When replacing any of these components, use only manufacturer's specified part.

Parts List : NR-DZ600MBTH, DZ600MBVN, DZ600MBMY, DZ600MB1D, DZ600MBSG

Part Exploded view : Body

Safety	Ref. No.	Part No.	Part name	Quantity	Remark
⚠	74	ARBGSA200792	SUPPLY CORD AS.(C3P)	1	DZ600MBTH
	74	ARBGSA200961	SUPPLY CORD AS.(C2P)	1	DZ600MBVN
	74	ARBGSA200862	SUPPLY CORD AS.(S3P)	1	DZ600MBMY,MBSG
	74	ARAGSA101090	SUPPLY CORD AS.(C2P)	1	DZ600MB1D
	75	ARAFCE405030	CLAMP PIPE WATER EVA.	1	
	75.1	CNRAF-175240	HOLDER PIPE WATER EVA.	1	
	76	ARAFPB105202	PAN WATER EVA.	1	
	77	ARBCCA200492	COVER PANEL COMP AS.	1	DZ600MBVN
	77	ARBCCA200530	COVER PANEL COMP AS.	1	DZ600MBSG
	78	CNRBG-165990	EARTH AS.COMP.2500	1	DZ600MBVN,MBSG
	79	CNR91-179630	COMPRESSOR-TKB91E20DAH-C2ECS	1	DZ600MBVN,MBSG
	79	CNR91-179680	COMPRESSOR-TKB91E14DTH-C3ECS	1	DZ600MBTH,MY,1D
⚠	80	CNR06-598071	MOTOR PROTECTOR	1	
	81	CNRAG-170461	PROTECTOR COVER	1	
	82	ARAJGA700021	GROMMET COMP	4	
	83	CNRAJ-170190	U - RING 7	4	
	84	CNRBG-168610	EARTH WIRE AS. COMP.150	1	
	85	ARBFPA500090	PIPE WATER EVP.AS	1	DZ600MBVN,MBSG
	85	ARBFPA500110	PIPE WATER EVP.AS	1	DZ600MBTH,MY,1D
	86	ARBF0A100101	OUTER CONDENSOR AS	1	DZ600MBVN,MBSG
	87	ARBFFA100140	FAN RING COMP AS	1	DZ600MBVN,MBSG
	88	ARAFDC105090	5 DRYER W	1	
	89	ARAFCE205040	CLAMPER DRYER	1	
	90	ARB FCC100261	CROSSRAIL REAR AS.	1	TH,MY,1D
	90	ARB FCC100251	CROSSRAIL REAR AS.	1	VN,SG

15.8 REPLACEMENT PARTS LIST

Important safety notice :

Components identified by mark have special characteristics important for safety.

When replacing any of these components, use only manufacturer's specified part.

Parts List : NR-DZ600MBTH, DZ600MBVN, DZ600MBMY, DZ600MB1D, DZ600MBSG

Part Exploded view : Door

Safety	Ref. No.	Part No.	Part name	Quantity	Remark
	94	ARADGC605351	GASKET DOOR FC	2	
	95	ARBDDMX00030	DOOR AS (CMPT) FCR	1	
	96	ARBDDMU00030	DOOR AS (CMPT) FCL	1	
⚠	97	ARAHLDX00300	LABEL ENERGY LEVEL 5	1	DZ600MBTH
	97	ARAHLB10890	ENERGY LABEL	1	DZ600MBVN
	97	ARAHLB11650	ENERGY LABEL	1	DZ600MBSG
	97.1	CNRAH-307200	ADVISORY LABEL FRONT	1	ONLY SG
	98	ARBDHD400022	HOLDER ESCUTCHEON AS.	1	
	99	ARBP0DA01532	PAS-OPERATION PCB(DOOR)	1	
	100	ARBDHD500022	HOLDER OPERATION AS.	1	
	101	ARBCFA300012	FRENCH CROSSRAIL FC AS.	1	
	102	CNRAE-136513	LATCH DOOR PC	1	
	103	CNRAD-359750	STOPPER DOOR PC-BW	1	
	104	CNRAE-143130	LATCH DOOR PCL	1	
	105	CNRAD-383280	STOPPER DOOR PCL	1	
	106	ARAJTF400030	TACK SHOT HOLE - GK	1	
	107	ARADSEE00060	SHELF FC	4	
	108	ARADGC105421	GASKET DOOR PC	2	
	109	ARBDDL303220	DOOR AS (CMPT) PCR	1	
	110	ARBDDL203250	DOOR AS (CMPT) PCL	1	
	111	ARBCFA400013	FRENCH CROSSRAIL PC AS.	1	
	112	ARAESA505060	STOPPER DOOR PCR	1	
	113	ARAELB605050	LATCH DOOR PCR	1	
	114	ARAESA205070	STOPPER DOOR PCL	1	
	115	ARAELB505040	LATCH DOOR PCL	1	
	116	CNRAD-381821	SHELF EGG PC	2	
	117	CNRAD-381831	FREE RACK PC	2	
	118	CNRAD-381811	SHELF BOTTLE PC	2	
	119	CNRAD-381840	TRAY EGG 10	1	
⚠	120	ARAHLCW10410	LABEL NAME & REF. - MBTH	1	
	120	ARAHLCW10420	LABEL NAME & REF. - MBVN	1	
	120	ARAHLCW10430	LABEL NAME & REF. - MBMY	1	
	120	ARAHLCW10980	LABEL NAME & REF. - MB1D	1	
	120	ARAHLCW10991	LABEL NAME & REF. - MBSG	1	
	121	ARADCD400040	COVER LED HANDLE PC	2	
	122	ARBPL2A00110	PAS-LED PCB (LIGHT)	2	

Screw :

Safety	Ref. No.	Part No.	Part name	Quantity	Remark
		CNR38-1143A01	TRUSS 4 TS 12	4	FIX COVER HINGE TOP R/L
		CNRAJ-167960	HEXAGON H.5 TS 14	6	FIX HINGE TOP PC R/L
		CNR38-1144501	TRUSS 4 TS 14	2	FIX GUIDE FRENCH FC
		CNR38-1145501	TRUSS 4 TS 16	4	FIX RAIL CASE FC
		CNR38-1143501	TRUSS 4 TS 12	1	FIX HOLDER ICE TRAY AS.
		CNR38-1143A01	TRUSS 4 TS 12	1	FIX PIECE EARTH PLATE
		CNR38-1143501	TRUSS 4 TS 12	1	FIX ICE CORNER AS.
		CNR38-1143501	TRUSS 4 TS 12	1	FIX COVER ICE TRAY
		CNR38-1145A01	TRUSS 4 TS 16	2	FIX COVER COIL
		CNR38-1143A01	TRUSS 4 TS 12	2	FIX HINGE CENTER R/L
		CNRAJ-167960	HEXAGON H 5 TS 14	4	FIX HINGE CENTER R/L
		CNR38-1144501	TRUSS 4 TS 14	2	FIX GUIDE FRENCH PC
		CNR38-1145501	TRUSS 4 TS 16	2	FIX COLLAR
		CNR38-1145501	TRUSS 4 TS 16	2	FIX PLATE PF AS.
		CNR38-1142501	TRUSS 4 TS 10	1	FIX PLATE PF AS. AT CONECTOR COVER
		CNR38-1143501	TRUSS 4 TS 12	1	FIX HOLDER TANK SIDE AS
		CNR38-1143501	TRUSS 4 TS 12	1	FIX HOLDER TANK COVER
		CNRAJ-167960	HEXAGON H.5 TS 14	4	FIX CASTER R/L AS.
		CNR38-1143A01	TRUSS 4 TS 12	2	FIX COVER HINGE BOTTOM L/R
		CNR38-1143A01	TRUSS 4 TS 12	4	FIX COVER PANEL FRONT L/R
		CNR38-1967710	TORX 4 TS 14	1	FIX COVER PCB
		CNR38-1143A01	TRUSS 4 TS 12	2	FIX COVER PCB
		CNR38-1145A01	TRUSS 4 TS 16	2	FIX SUPPLY CORD AS.
		CNR38-1143A01	TRUSS 4 TS 12	6	FIX COVER PANEL COMP AS.
		CNR38-1143A01	TRUSS 4 TS 12	2	FIX PAN WATER EVA
		CNR38-1143A01	TRUSS 4 TS 12	1	FIX FAN RING COMP.
		CNR38-1143A01	TRUSS 4 TS 12	1	FIX OUTER CONDENSOR
		CNR38-1141A02	TRUSS 4 TS 8	2	FIX DUCT SHELL
		CNRAJ-167960	HEXAGON H.5 TS 14	4	FIX CROSSRAIL REAR
		CNR38-1143A01	TRUSS 4 TS 12	1	FIX HOLDER OPERATION AS.
		CNR38-1145A01	TRUSS 4 TS 16	2	FIX PLATE DUCT
		CNR38-1145A01	TRUSS 4 TS 16	2	FIX COVER DAMPER AS.
		CNR38-1145A01	TRUSS 4 TS 16	2	FIX PLATE DUCT PC AS.
		CNR38-1143A01	TRUSS 4 TS 12	1	FIX OUTER CONDENSOR
		CNR38-1143A01	TRUSS 4 TS 12	1	FIX FAN RING COMP.
		CNR38-1141A02	TRUSS 4 TS 8	2	FIX DUCT SHELL
		CNR38-1144501	TRUSS 4 TS 14	2	FIX GUIDE FRENCH FC
		CNR38-1144501	TRUSS 4 TS 14	2	FIX GUIDE FRENCH PC
		CNR38-1156A01	TRUSS 5 TS 18	2	FIX LATCH DOOR R/L

15.9 REPLACEMENT PARTS LIST

Packing List : NR-DZ600MBTH, DZ600MBVN, DZ600MBMY, DZ600MB1D, DZ600MBSG

Safety	Ref. No.	Part No.	Part name	Quantity	Remark
	123	CNRAH-329551	WRENCH INSTRUCTION	2	
	123	ARAHWD100010	WRENCH ADJUSTER BOLT	1	
	123	CNRAJ-172190	PLASTIC BAG WRENCH	1	
	124	ARAH1E201850	INSTRUCTION BOOK - TH	1	
	124	ARAH1E201860	INSTRUCTION BOOK - VN	1	
	124	ARAH1E201870	INSTRUCTION BOOK - MY	1	
	124	ARAH1E201900	INSTRUCTION BOOK - 1D	1	
	124	ARAH1E200630	INSTRUCTION BOOK - SG	1	
	125	CNRAK-136080	WARRANTY CARD - TH	1	
	125	ARAHWB110180	WARRANTY CARD - VN	1	
	126	ARAKCB300880	CARTON BOX PRINT - TH	1	
	126	ARAKCB300431	CARTON BOX PRINT - EXPORT	1	
	127	ARAHSL106500	STICKER MODEL NAME - MBTH	2	
	127	ARAHSL106510	STICKER MODEL NAME - MBVN	2	
	127	ARAHSL106520	STICKER MODEL NAME - MBMY	2	
	127	ARAHSL107110	STICKER MODEL NAME - MB1D	2	
	127	ARAHSL107120	STICKER MODEL NAME - MBSG	2	
	128	ARBKBB100081	BOTTOM TRAY AS.	1	
	129	CNRAJ-162070	PLASTIC COVER	1	
	130	ARBKPB100031	PAD TOP AS	1	
	130	CNRAK-173680	TOP PAD C	1	
	131	CNRBK-140421	PAD CORNER AS	2	
	132	CNRAK-142810	SHELL SIDE PAD	2	
	133	CNRBK-140231	PROTECTOR DOOR AS.	1	
	134	ARAKCA705020	CUSHION REAR	1	

16. DETAIL CHANGE NOTICE

Revision	Item no.	Page	Detail	Remark
SEP. 2019	15.4 - 15.9	54 - 59	Update part no.	
Jun. 2020	15.1 - 15.9	44 - 59	Add. Advisory Label Front for SG	
			Revise Part Exploded View: Door AS. (CMPT) PC/FC	