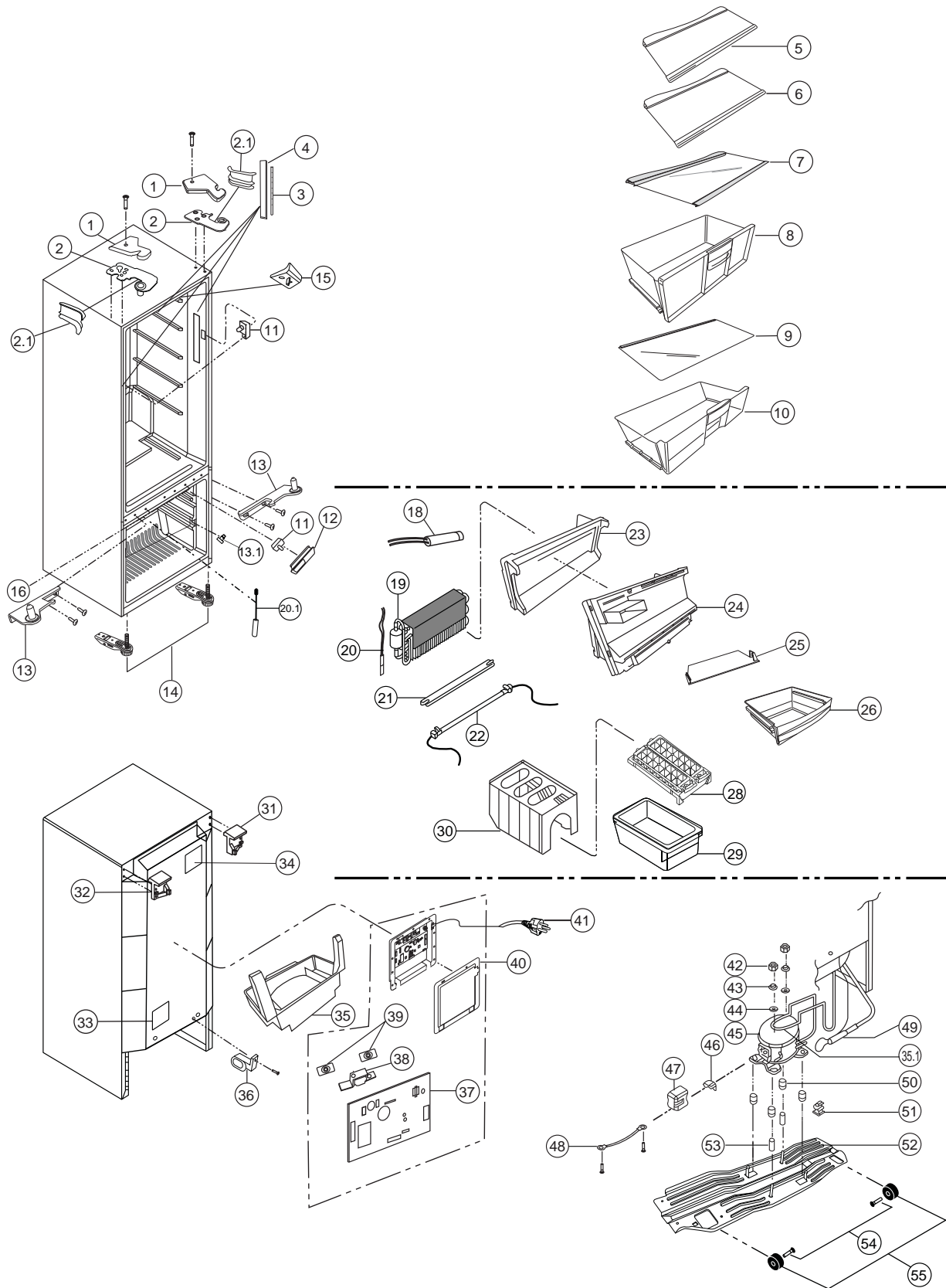
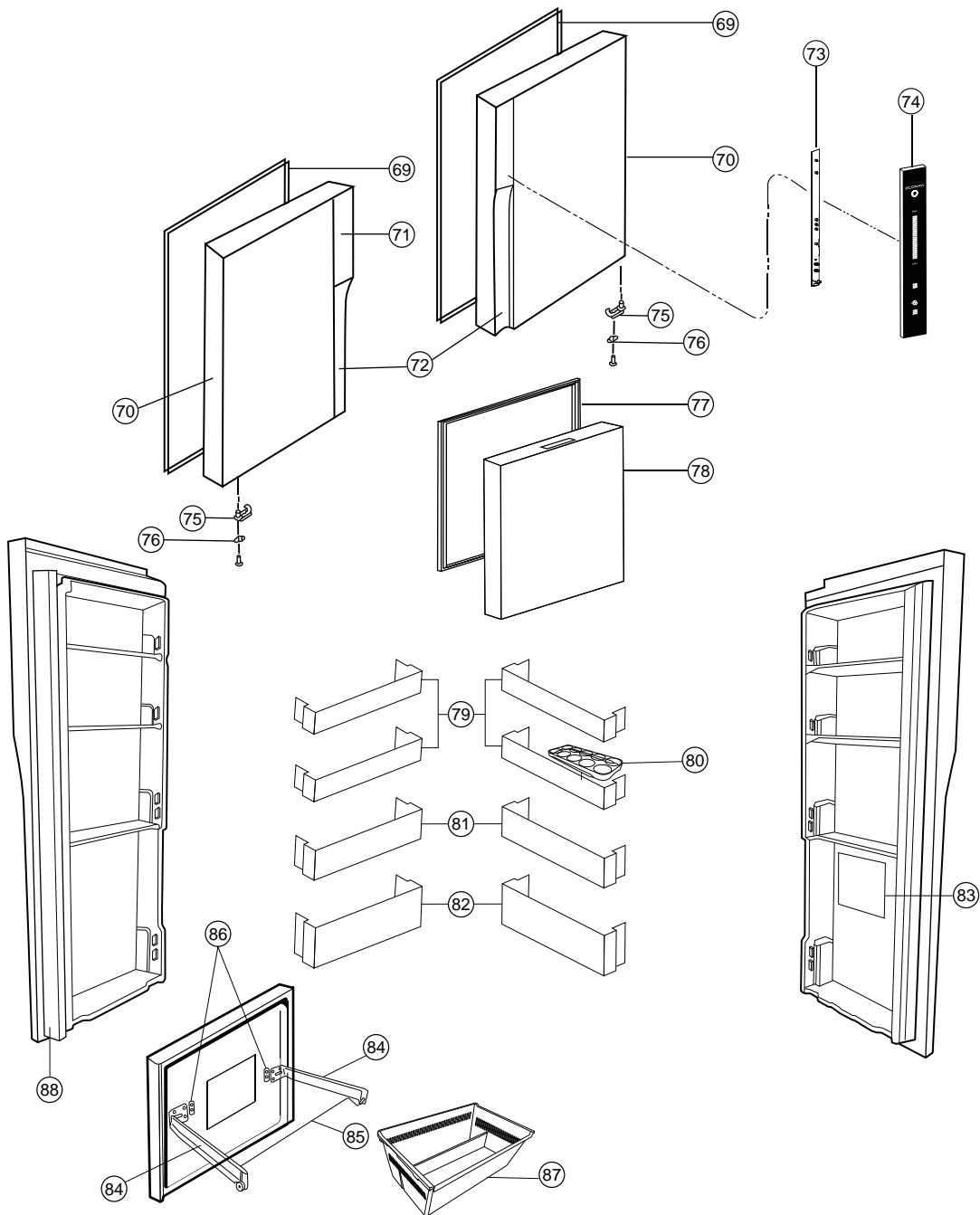
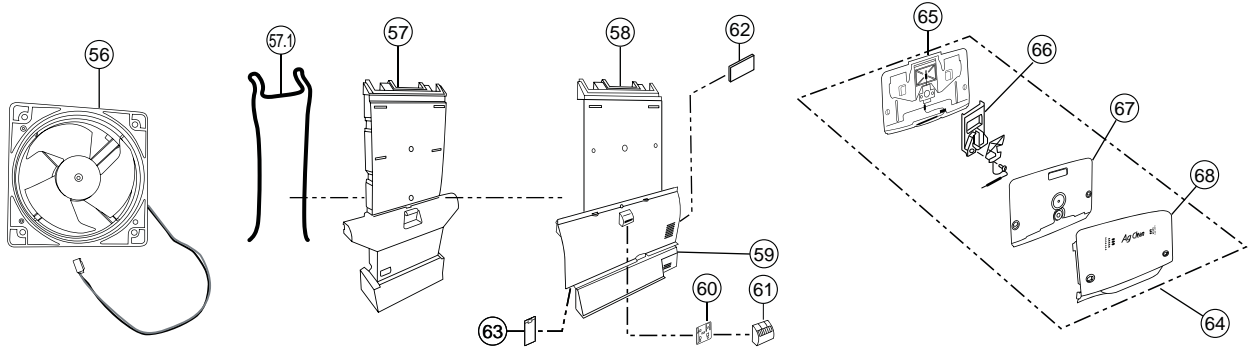


# 14. PARTS EXPLODED VIEW AND REPLACEMENT PARTS LIST

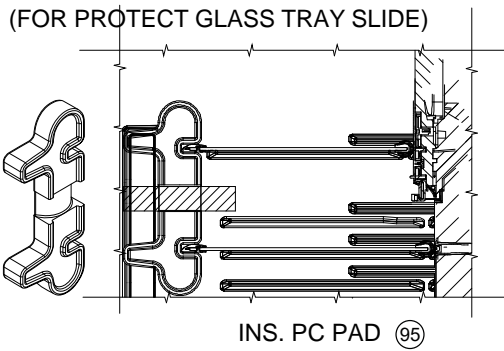
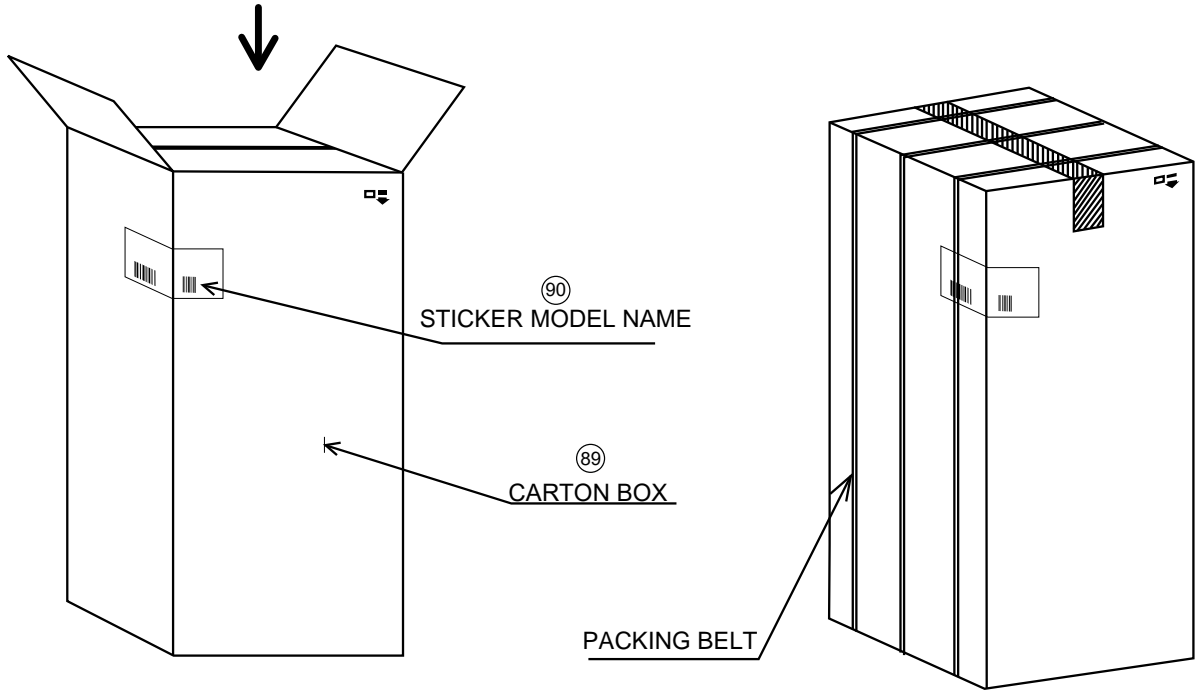
## 14.1 Parts Exploded View : Body



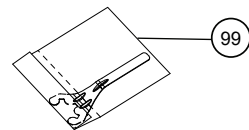
## 14.2 Parts Exploded View : Door



### 14.3 Parts Exploded View : Packing

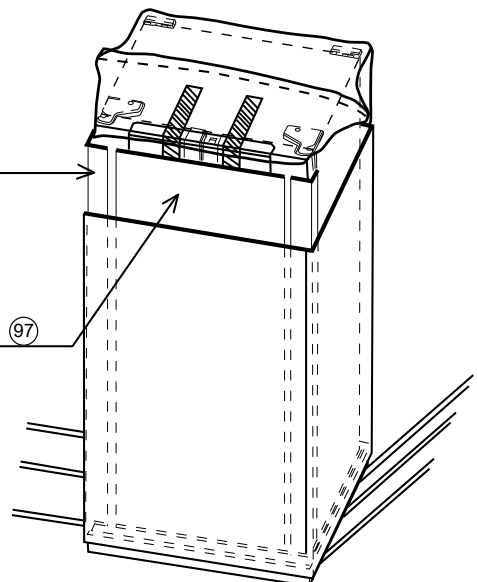
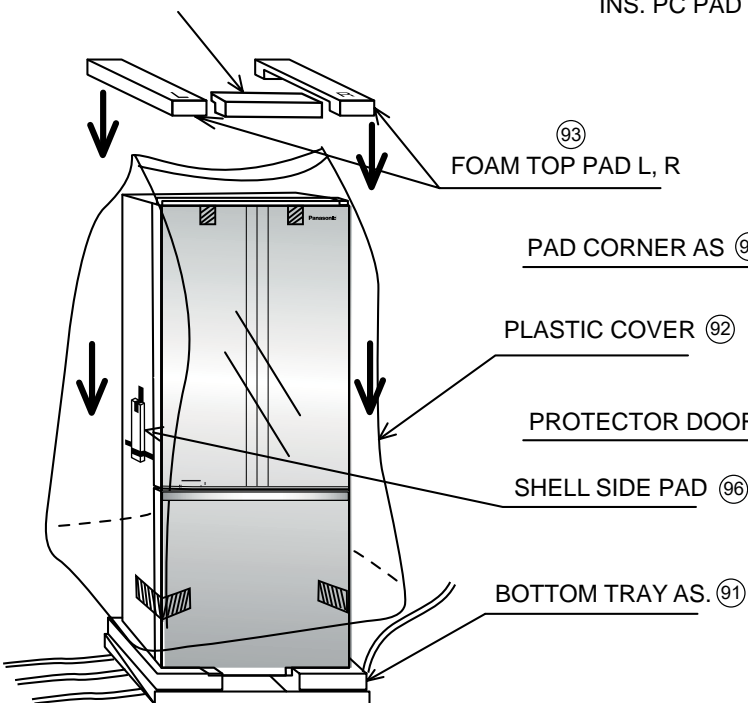


INSTRUCTION BOOK (98)



KEEP AT GLASS TRAY PC AS.

TOP PAD C (93)



## 14.4 REPLACEMENT PARTS LIST

### Important safety notice :

Components identified by mark have special characteristics important for safety.  
When replacing any of these components, use only manufacturer's specified part.

### Parts List : NR-CR54AG, NR-CY557G

Safety	Ref. No.	Part Name	Part No.	Model/Qty				Remark
				NR-CY54AG/CY557G				
				GW	GX	GS	GK	
	1	COVER HINGE TOP-PCR	CNRAE-143140	1	1			COLOUR : KOREA WHITE SOLID
		COVER HINGE TOP-PCL	CNRAE-143150	1	1			COLOUR : KOREA WHITE SOLID
		COVER HINGE TOP-PCR	CNRAE-143370			1		COLOUR : GRAY
		COVER HINGE TOP-PCL	CNRAE-143380			1		COLOUR : GRAY
		COVER HINGE TOP-PCR	CNRAE-143620				1	COLOUR : BLACK
		COVER HINGE TOP-PCL	CNRAE-143630				1	COLOUR : BLACK
⚠	2	HINGE TOP PCR	CNRAE-143180	1	1	1	1	
		HINGE TOP PCL	CNRAE-143191	1	1	1	1	
	2.1	PIECE HINGE TOP PCR	CNRAE-139030	1	1	1	1	
		PIECE HINGE TOP PCL	CNRAE-143171	1	1	1	1	
⚠	3	PAS-BW468 (LED)	CNRBG-181513	1	1	1	1	
	4	COVER LED LAMP R	CNRAH-291582	1	1	1	1	RIGHT
		COVER LED LAMP L	CNRAH-290283	1	1	1	1	LEFT
	5	GLASS TRAY TS AS.	CNRBH-162130	1	1	1	1	INNOCENT WHITE
	6	GLASS TRAY T AS.	CNRBH-162120	1	1	1	1	INNOCENT WHITE
	7	GLASS TRAY CRISPER AS.	CNRBH-162150	1	1	1	1	INNOCENT WHITE
	8	CRISPER AS.	CNRBH-162080	1	1	1	1	CLEAR GRAY SMOKE
	9	GLASS TRAY CHILLED AS.	CNRBH-162160	1	1	1	1	INNOCENT WHITE
	10	CHILLED CASE	CNRAH-325190	1	1	1	1	CLEAR GRAY SMOKE
	11	DOOR SW.	CNRAG-153290	3	3	3	3	
	12	CASE SW. FC-W	CNRAC-201540	1	1	1	1	
⚠	13	HINGE CENTER PCR	CNRAE-143200	1	1	1	1	RIGHT
		HINGE CENTER PCL	CNRAE-143210	1	1	1	1	LEFT
	13.1	BEARING ROLLER 23AS	CNRBJ-105024	2	2	2	2	
	14	CASTER L AS.	CNRBC-377390	1	1	1	1	LEFT
		CASTER R AS.	CNRBC-377400	1	1	1	1	RIGHT
	15	GUIDE FRENCH	CNRAC-251152	1	1	1	1	
	16	CAP PAN H.4TS (W)	CNR39-162431	2	2	2	2	
	18	SENSOR DEF.	CNRAG-140111	1	1	1	1	
	19	COIL	CNRAF-196261	1	1	1	1	
⚠	20	TEMP FUSE AS.	CNRBG-180841	1	1	1	1	
	20.1	SENSOR FCC	CNRAG-164250	1	1	1	1	
	21	COVER RADIANT	CNRAG-163050	1	1	1	1	
⚠	22	HEATER AS. DEFROST	CNRAG-163041	1	1	1	1	
	23	INS. COVER COIL F	CNRAF-177453	1	1	1	1	
	24	COVER COIL	CNRAF-177372	1	1	1	1	
	25	PLATE FC	CNRAH-261411	1	1	1	1	
⚠	26	CASE FCT	CNRAH-325200	1	1	1	1	CLEAR GRAY SMOKE
	28	ICE CUBE TRAY AS.	CNRBH-135250	1	1	1	1	
	29	BOX ICE TRAY	CNRAH-313590	1	1	1	1	CLEAR GRAY SMOKE
	30	HOLDER ICE TRAY	CNRAH-261194	1	1	1	1	
	31	HANGER SHELL R	CNRBC-362220	1	1	1	1	RIGHT
	32	HANGER SHELL L	CNRBC-362230	1	1	1	1	LEFT
⚠	33	LABEL HC BACK-TH	CNRAH-269301	1		1	1	THAI
		LABEL HC BACK-EX	CNRAH-269292	1	1	1	1	ENGLISH
⚠	34	WIRING DIAGRAM GWPH	CNRAH-325300	1				
		WIRING DIAGRAM GWMY	CNRAH-325310	1				
		WIRING DIAGRAM GXMY	CNRAH-325320		1			
		WIRING DIAGRAM GWTH	CNRAH-325330	1				
		WIRING DIAGRAM GWVN	CNRAH-325340	1				
		WIRING DIAGRAM GXVN	CNRAH-325350		1			
		WIRING DIAGRAM GWSG	CNRAH-325360	1				
		WIRING DIAGRAM GW1D	CNRAH-325370	1				
		WIRING DIAGRAM GWAU	CNRAH-325380	1				
		WIRING DIAGRAM GSTH	CNRAH-329200			1		
		WIRING DIAGRAM GX1D	CNRAH-329210		1			
		WIRING DIAGRAM GSAU	CNRAH-329220			1		
		WIRING DIAGRAM GKTH	CNRAH-335790				1	
		WIRING DIAGRAM GKVN	CNRAH-335800				1	
		WIRING DIAGRAM GKMY	CNRAH-336360				1	
		WIRING DIAGRAM GK1D	CNRAH-336370				1	
		WIRING DIAGRAM GKSG	CNRAH-336380				1	
		WIRING DIAGRAM GSVN	CNRAH-334720			1		
		WIRING DIAGRAM GSMY	CNRAH-334640			1		

Safety	Ref. No.	Part Name	Part No.	Model/Qty				Remark
				NR-CY54AG/CY557G				
				GW	GX	GS	GK	
	35	PAN WATER EVA.	CNRAF-197080	1	1	1	1	
	36	CLAMP PIPE WATER EVA.	CNRAF-175252	1	1	1	1	
	37	PAS-CY557 (CONTROL) AS.	CNRBG-201240	1	1	1	1	
	38	REACTOR	CNRBG-165910	1	1	1	1	
	39	RUBBER REACTOR	CNRAF-156140	2	2	2	2	
	40	COVER CASE BOARD (GI)	CNRAC-214821	1	1	1	1	
⚠	41	SUPPLY CORD AS.-S3P	CNRBG-176222	1	1		1	GWMY,GXMY,GKMY,GWSG,GKSG
		SUPPLY CORD AS.-C2P	CNRBG-202300	1	1			GWVN,GXVN,GKVN
		SUPPLY CORD AS.-K3P	CNRBG-185900	1		1		GWAU,GS AU
		SUPPLY CORD AS.-A2P	CNRBG-202290	1				GWPH
		SUPPLY CORD AS.-C3P	CNRBG-170952	1		1	1	GWTH,GSTH,GKTH
		SUPPLY CORD AS.-C2P	CNRBG-202310	1	1		1	GW1D,GX1D,GK1D
	42	HEXAGON NUT 8	CNR38-8170A1	2	2	2	2	
	43	SPRING WASHER 8	CNR38-4270A0	2	2	2	2	
	44	8 WASHER	CNR38-4170A0	2	2	2	2	
	45	COMP. ERI100E13DGH	CNR91-236280	1	1	1	1	
⚠	46	MOTOR PROTECTOR	CNR06-598071	1	1	1	1	
	47	PROTECTOR COVER	CNRAG-170461	1	1	1	1	
	48	EARTH WIRE AS. COMP. 230	CNRBG-156650	1	1	1	1	
	49	5 DRYER W	CNR39-340920	1	1	1	1	
	50	RUBBER GROMMET	CNR01-249530	4	4	4	4	
	51	CLAMPER DRYER	CNR39-163082	1	1	1	1	
	52	CROSSRAIL REAR	CNRAF-177400	1	1	1	1	
	53	SLEEVE COMP.	CNRAJ-112932	2	2	2	2	
	54	PIN CASTER	CNR02-325701	2	2	2	2	
	55	ROLLER 40	CNRAC-116280	2	2	2	2	
	56	FAN MOTOR FC	CNRAG-172530	1	1	1	1	
	57	INS. DUCT PC	CNRAH-261251	1	1	1	1	
	58	PLATE DUCT PC	CNRAH-325130	1	1	1	1	
	59	PLATE DUCT PCB	CNRAH-325140	1	1	1	1	
	60	LED KIBAN (VC)	CNRAG-163024	1	1	1	1	
	61	COVER VC LED	CNRAH-261301	1	1	1	1	
	62	AG BIO FILTER	CNRAH-245521	1	1	1	1	
	63	PIECE DUCT PC	CNRAH-325150	1	1	1	1	
	64	CONTROL PANEL AS.	CNRBH-162070	1	1	1	1	
	65	INS. CONTROL PANEL PCB	CNRAH-261292	1	1	1	1	
	66	BAFFLE DAMPER THERMO AS.	CNRBG-184010	1	1	1	1	
	67	INS. CONTROL PANEL PCF	CNRAH-261283	1	1	1	1	
	68	CONTROL PANEL	CNRAH-325110	1	1	1	1	HOT STAMP Ag CLEAN
	69	GASKET DOOR PCR	CNRAD-381851	1	1	1	1	
		GASKET DOOR PCL	CNRAD-381861	1	1	1	1	
	70	DOOR AS. PCR (FOAM) GW	CNRBD-400720	1				COLOUR : WHITE
		DOOR AS PCR (FOAM) GX	CNRBD-400730		1			COLOUR : MARBLE WHITE
		DOOR AS PCR (FOAM) GS	CNRBD-402420			1		COLOUR : STAINLESS LOOK
		DOOR AS PCR (FOAM) GK	CNRBD-405820				1	COLOUR : BLACK
		DOOR AS. PCL (FOAM) GW	CNRBD-400821	1				COLOUR : WHITE
		DOOR AS PCL (FOAM) GX	CNRBD-400831		1			COLOUR : MARBLE WHITE
		DOOR AS PCL (FOAM) GS	CNRBD-402490			1		COLOUR : STAINLESS LOOK
		DOOR AS PCL (FOAM) GK	CNRBD-405900				1	COLOUR : BLACK
	71	PANEL ESCUTCHEON AS.	CNRBD-400913	1	1	1	1	COLOUR : TITANIUM GRAY SOLID
	72	ESCUTCHEON HANDLE PCR	CNRAD-381670	1	1	1	1	COLOUR : TITANIUM SILVER
		ESCUTCHEON HANDLE PCL	CNRAD-381661	1	1	1	1	COLOUR : TITANIUM SILVER
	73	PAS OPERATION PCB (DOOR)	ARBP0DA00622	1	1	1	1	
	74	PANEL OPERATION AS.	CNRBD-400901	1	1	1	1	
	75	LATCH DOOR PCR	CNRAE-136513	1	1	1	1	
		LATCH DOOR PCL	CNRAE-143130	1	1	1	1	
	76	STOPPER DOOR PCR	CNRAD-359750	1	1	1	1	
		STOPPER DOOR PCL	CNRAD-383280	1	1	1	1	
	77	GASKET DOOR FC	CNRAD-330981	1	1	1	1	
	78	DOOR AS FC (FOAM) GW	CNRBD-400631	1				COLOUR : WHITE
		DOOR AS FC (FOAM) GX	CNRBD-400641		1			COLOUR : MARBLE WHITE
		DOOR AS FC (FOAM) GS	CNRBD-402353			1		COLOUR : STAINLESS LOOK
		DOOR AS FC (FOAM) GK	CNRBD-405761				1	COLOUR : BLACK
	79	SHELF EGG	CNRAD-381821	4	4	4	4	COLOUR : CLEAR GRAY SMOKE
	80	TRAY EGG 10	CNRAD-381840	1	1	1	1	COLOUR : TRANSPARENT
	81	FREE RACK PC	CNRAD-381831	2	2			COLOUR : CLEAR GRAY SMOKE
	82	SHELF BOTTLE	CNRAD-381811	2	2			COLOUR : CLEAR GRAY SMOKE

Safety	Ref. No.	Part Name	Part No.	Model/Qty				Remark
				NR-CY54AG/CY557G				
				GW	GX	GS	GK	
⚠	83	LABEL NAME GWPH	CNRAH-325210	1				
		LABEL NAME GWMY	CNRAH-325220	1				
		LABEL NAME GXMY	CNRAH-325230		1			
		LABEL NAME GWTH	CNRAH-325240	1				
		LABEL NAME GWVN	CNRAH-325251	1				
		LABEL NAME GXVN	CNRAH-325261		1			
		LABEL NAME GWSG	CNRAH-325270	1				
		LABEL NAME GW1D	CNRAH-325280	1				
		LABEL NAME GWAU	CNRAH-325290	1				
		LABEL NAME GSTH	CNRAH-329170			1		
		LABEL NAME GX1D	CNRAH-329180		1			
		LABEL NAME GSAU	CNRAH-329190			1		
		LABEL NAME GKTH	CNRAH-335770				1	
		LABEL NAME GKVN	CNRAH-335780				1	
		LABEL NAME GKSG	CNRAH-336350				1	
LABEL NAME GKMY	CNRAH-336330				1			
LABEL NAME GK1D	CNRAH-336340				1			
LABEL NAME GSVN	CNRAH-334710			1				
LABEL NAME GSMY	CNRAH-334630			1				
	84	FRAME AS. FC R	CNRBD-403690	1	1	1	1	
		FRAME AS. FC L	CNRBD-403680	1	1	1	1	
	85	SUPPORT REAR	CNRAD-330951	1	1	1	1	
	86	PLATE HOOK FC	CNRAD-385980	2	2	2	2	
	87	CASE FCB AS.	CNRBH-138860	1	1	1	1	
	88	FRENCH CROSSRAIL AS.	CNRBC-377123	1	1	1	1	

### Packing List

Safety	Ref. No.	Part Name	Part No.	Model/Qty				Remark
				NR-CY54AG/CY557G				
				GW	GX	GS	GK	
	89	CARTON BOX	CNRAK-173510	1	1	1	1	
	90	STICKER MODEL NAME GWPH	CNRAH-325440	2				
		STICKER MODEL NAME GWMY	CNRAH-325450	2				
		STICKER MODEL NAME GXMY	CNRAH-325460		2			
		STICKER MODEL NAME GWTH	CNRAH-325470	2				
		STICKER MODEL NAME GWVN	CNRAH-325481		2			
		STICKER MODEL NAME GXVN	CNRAH-325491		2			
		STICKER MODEL NAME GWSG	CNRAH-325500	2				
		STICKER MODEL NAME GW1D	CNRAH-325510	2				
		STICKER MODEL NAME GWAU	CNRAH-325520	2				
		STICKER MODEL NAME GSTH	CNRAH-329230			2		
		STICKER MODEL NAME GX1D	CNRAH-329240		2			
		STICKER MODEL NAME GSAU	CNRAH-329250			2		
		STICKER MODEL NAME GKTH	CNRAH-335810				2	
		STICKER MODEL NAME GKVN	CNRAH-335820				2	
		STICKER MODEL NAME GKSG	CNRAH-336410				2	
	STICKER MODEL NAME GKMY	CNRAH-336390				2		
	STICKER MODEL NAME GK1D	CNRAH-336400				2		
	STICKER MODEL NAME GSVN	CNRAH-334730			2			
	STICKER MODEL NAME GSMY	CNRAH-334650			2			
	91	BOTTOM TRAY AS.	CNRBK-141830	1	1	1	1	
	92	PLASTIC COVER	CNRAJ-162080	1	1	1	1	
	93	TOP PAD R	CNRAK-173490	1	1	1	1	RIGHT
		TOP PAD L	CNRAK-173480	1	1	1	1	LEFT
		TOP PAD C	CNRAK-173680	1	1	1	1	CENTER FRONT
	94	PAD CORNER AS.	CNRBK-140421	2	2	2	2	
	95	INS. PC PAD	CNRAK-153040	3	3	3	3	PROTECT PARTS SLIDE
	96	SHELL SIDE PAD	CNRAK-142810	2	2	2	2	LEFT&RIGHT
	97	PROTECTOR DOOR AS.	CNRBK-140231	1	1	1	1	
	98	INSTRUCTION BOOK-MY	CNRAK-173570	1	1		1	
		INSTRUCTION BOOK-TH	CNRAK-173580	1		1	1	
		INSTRUCTION BOOK-VN	CNRAK-173590	1	1		1	
		INSTRUCTION BOOK-SG/PH	CNRAK-173600	1			1	
		INSTRUCTION BOOK-1D	CNRAK-173610	1	1		1	
	INSTRUCTION BOOK-AU,NZ	CNRAK-173621	1		1			
	99	WRENCH INSTRUCTION	CNRAH-329551	2	2	2	2	
	99	WRENCH ADJUSTER BOLT	ARAHWD100010	1	1	1	1	
	99	PLASTIC BAG WRENCH	CNRAJ-172190	1	1	1	1	